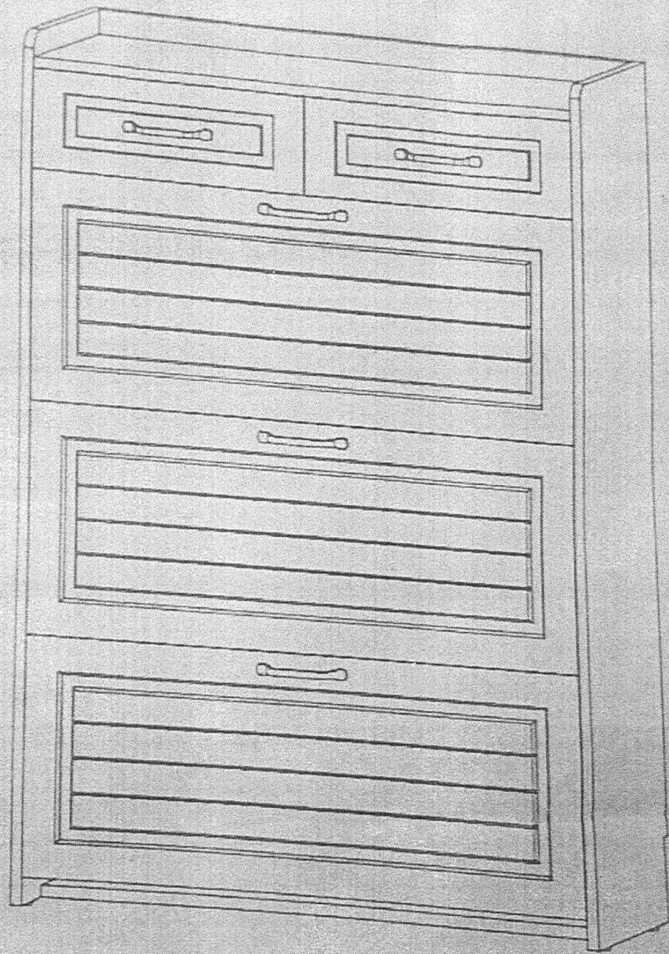
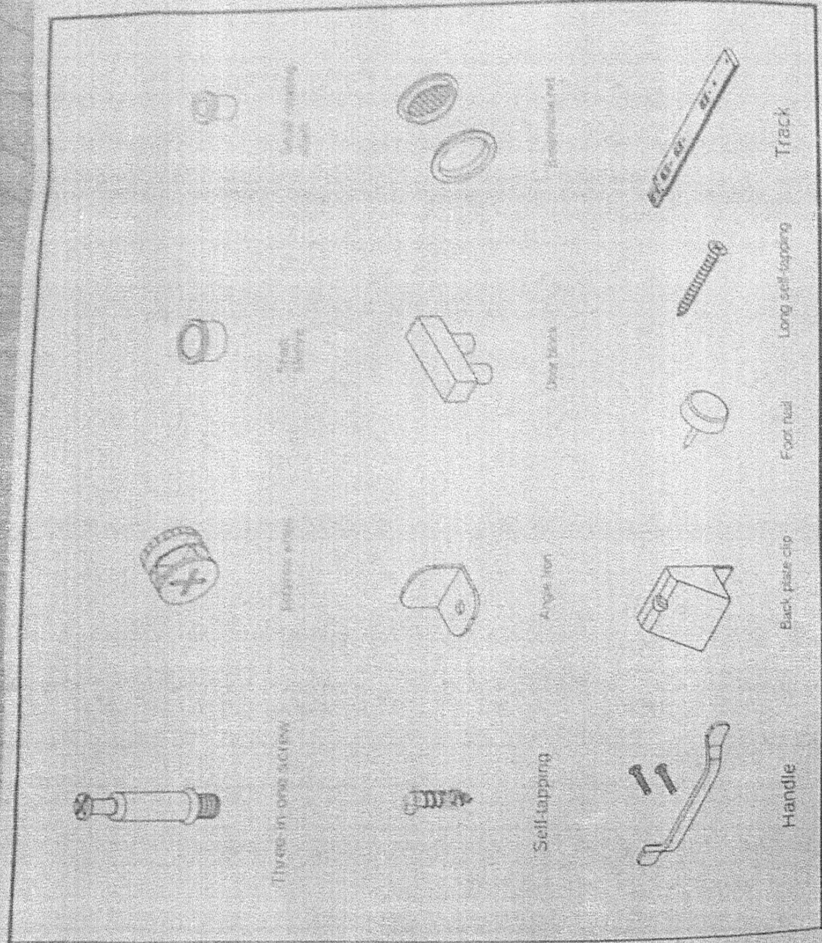


PANTOFAR H 100

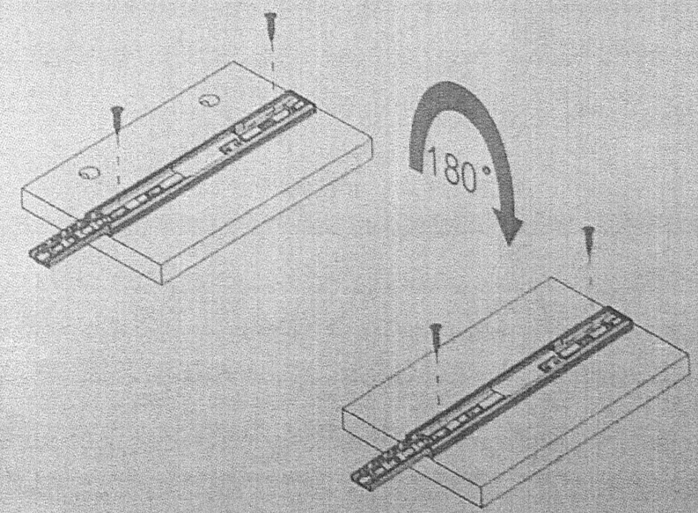
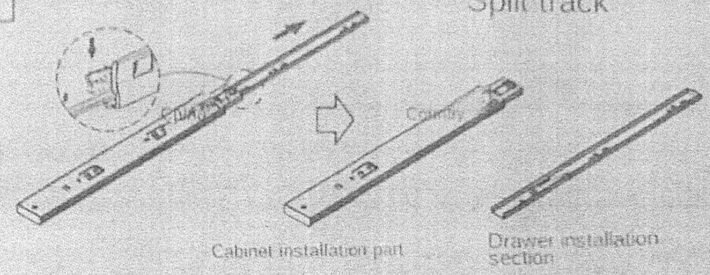


d



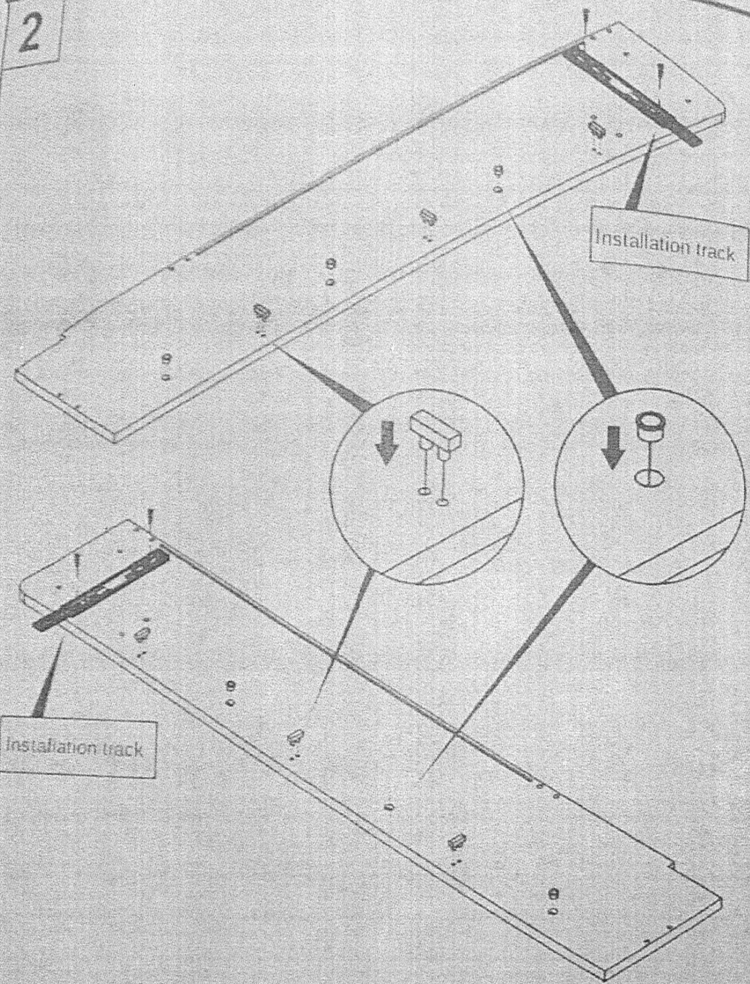
1

Split track



As shown in the figure, first fix the track on the drawer hanging plate with self-tapping.

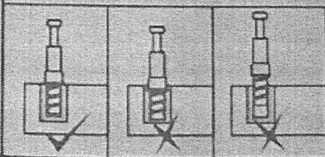
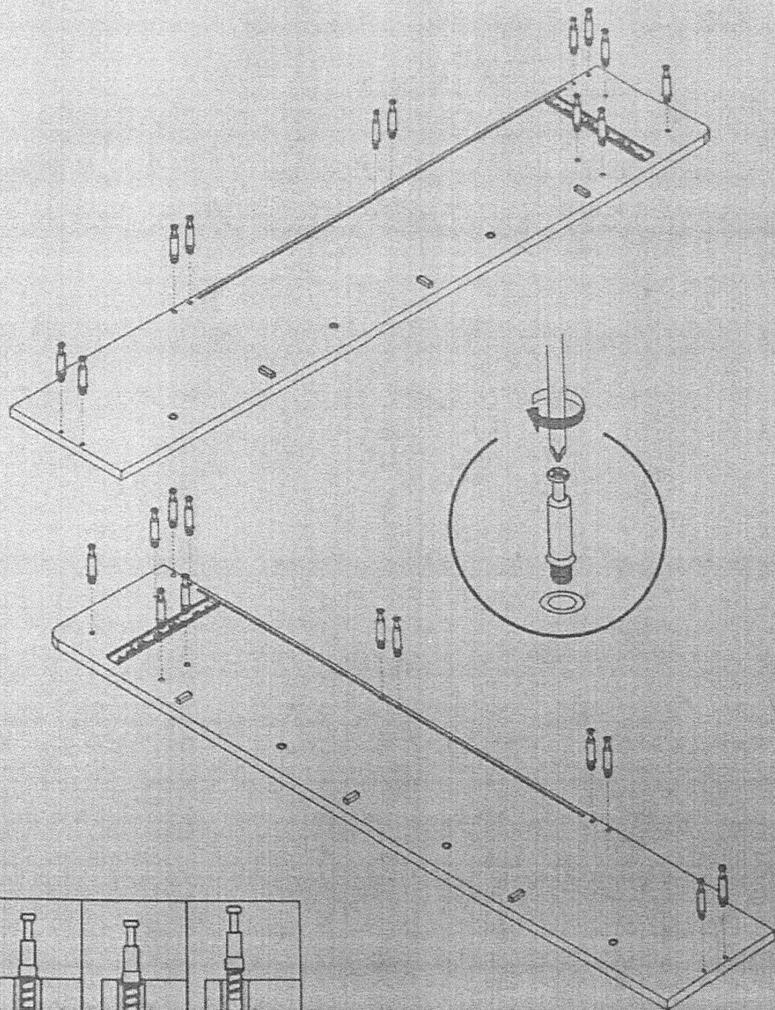
2

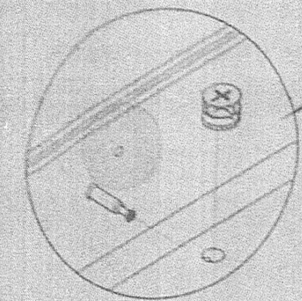
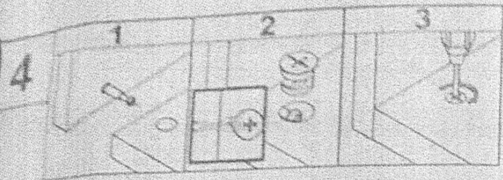


As shown in the figure, gently knock the door block and shaft sleeve into the hole of the side plate. Pay attention to the uniformity with the plate surface, and install the tracks on the side plates respectively.

3

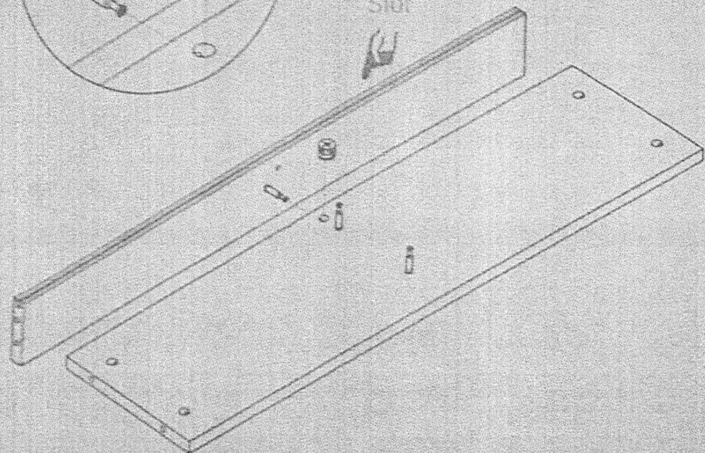
As shown in the figure, screw the three-in-one screw into all the boards Embedded parts





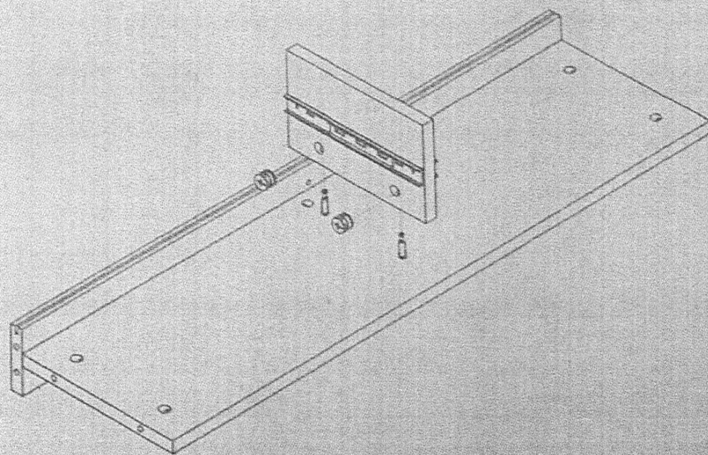
Top pull bar

Slot



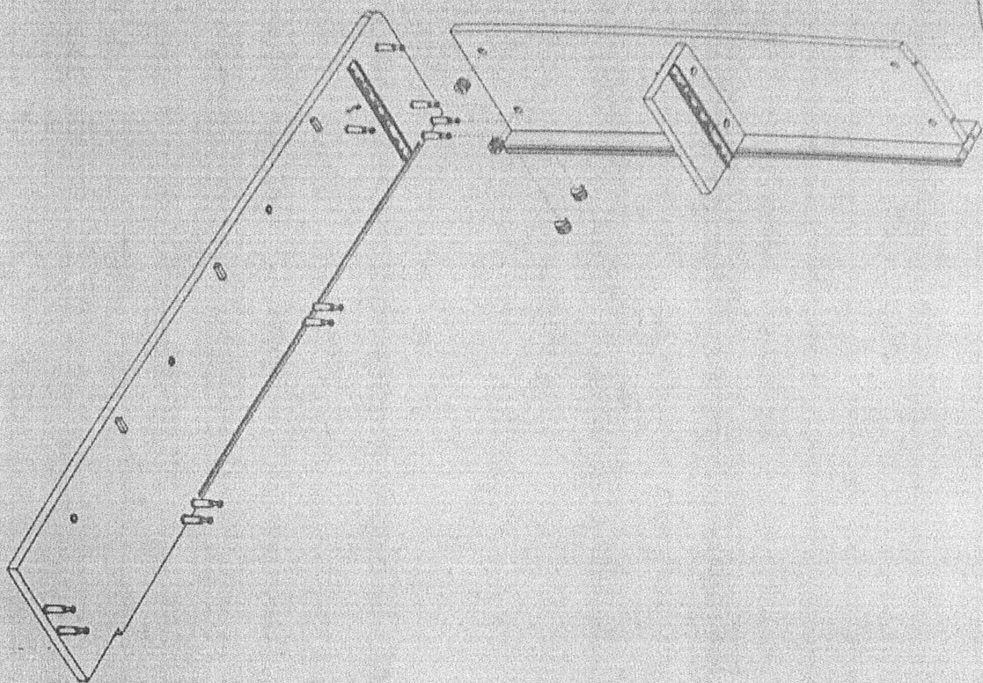
As shown in the figure, fix the top strip on the panel.

5



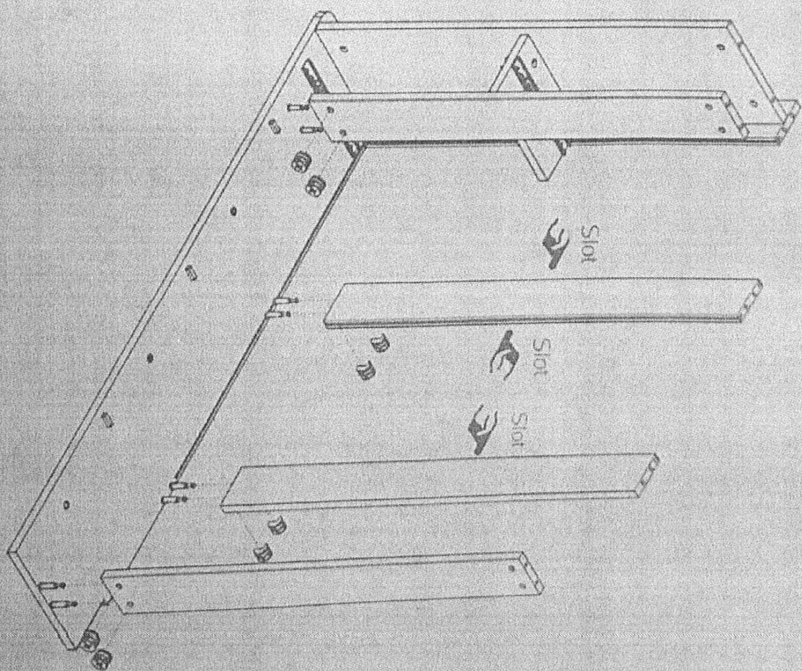
As shown in the figure, fix the drawer hanging plate on the panel

6



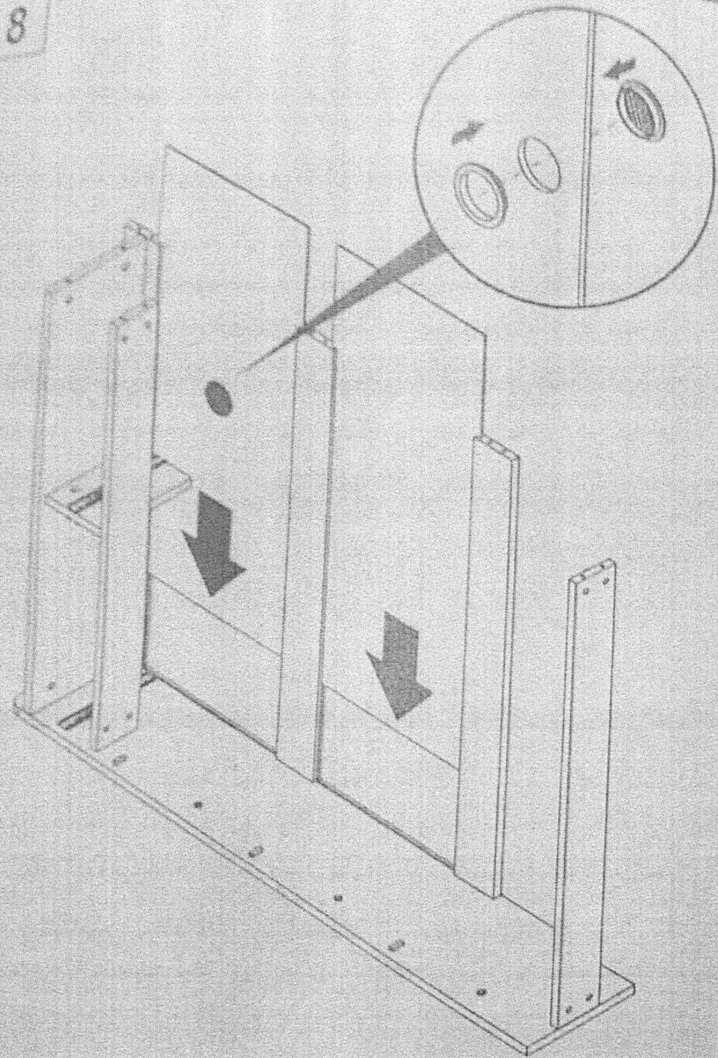
As shown in the figure, fix the whole on the left board.

7



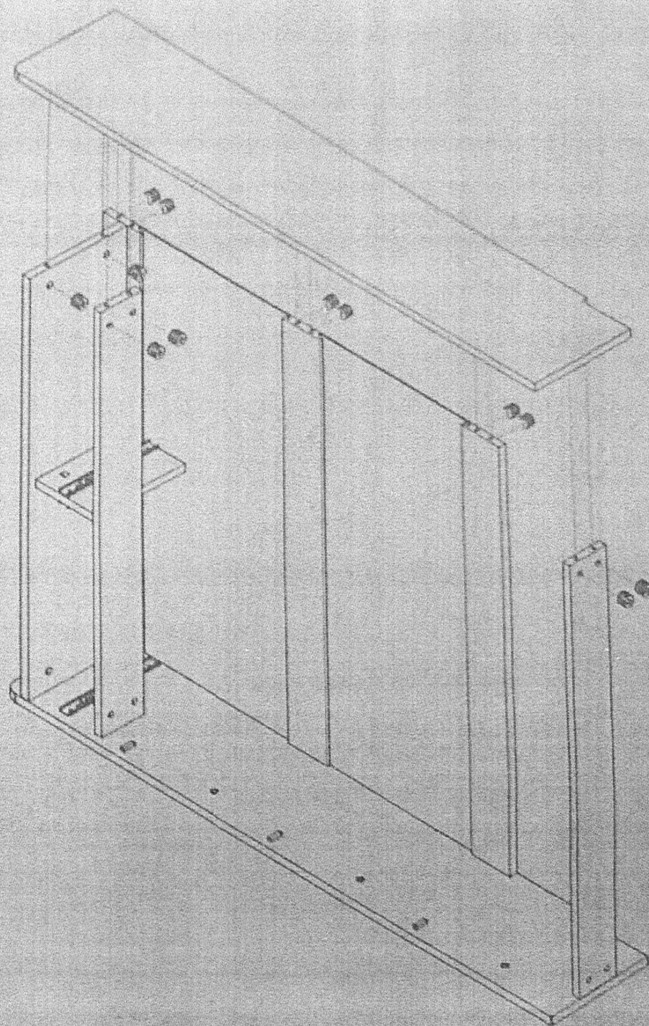
As shown in the figure, fix each pull bar on the left board in sequence.

8



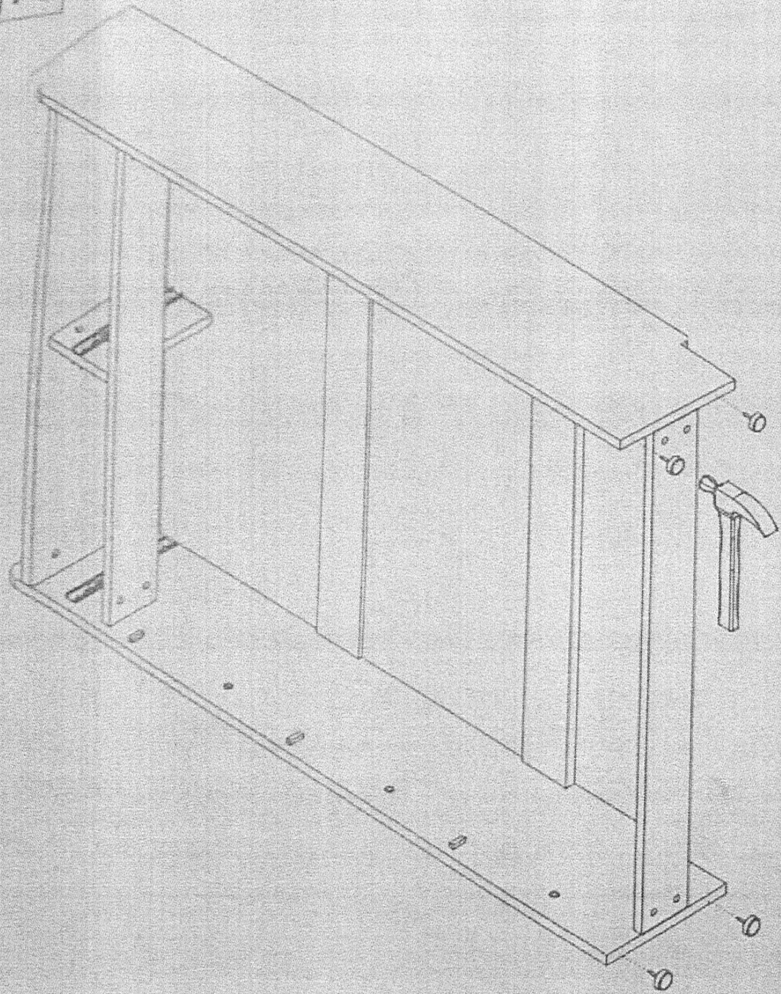
As shown in the figure, insert the back plate into the slot in sequence

9



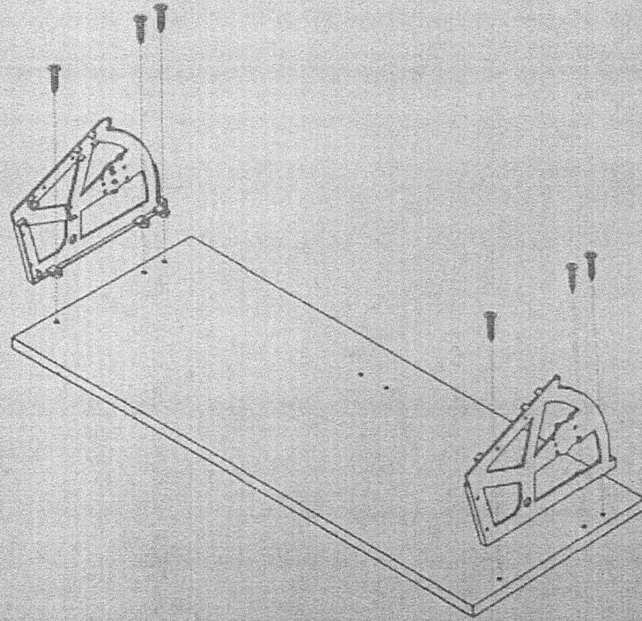
As shown in the figure, install the other side plate

10



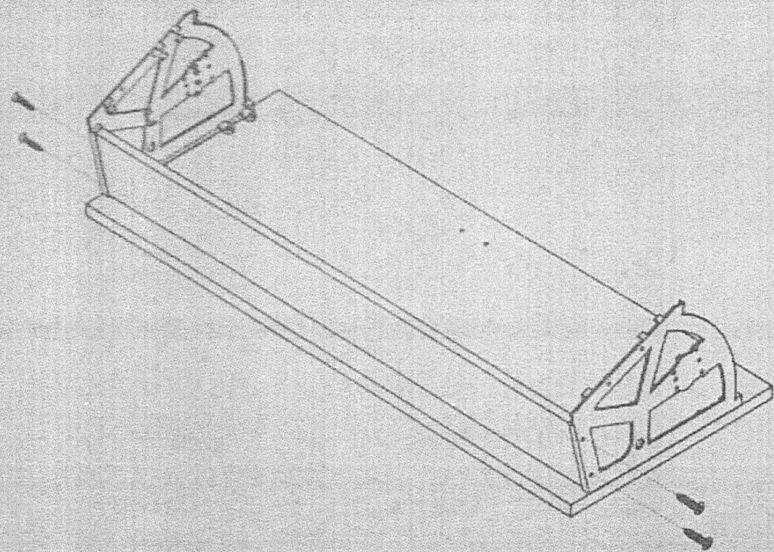
As shown in the figure, knock the foot nail into the side plate.

11



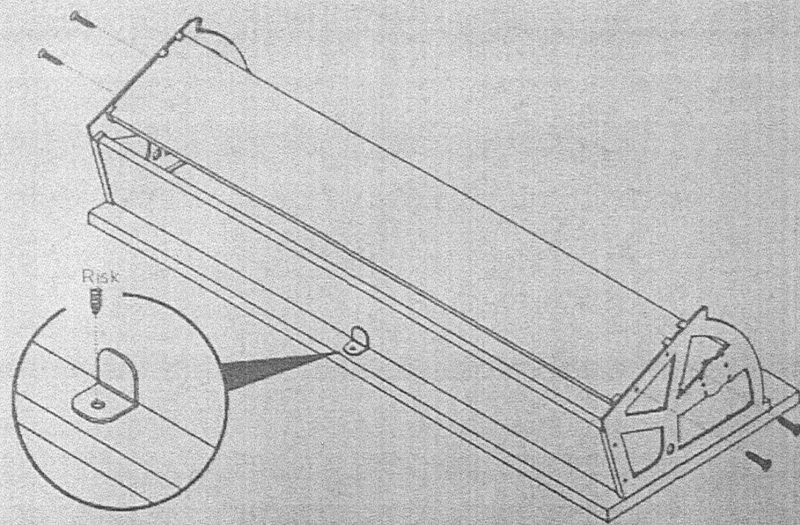
As shown in the figure, use self-tapping to fix the left and right brackets on the door panel.

12



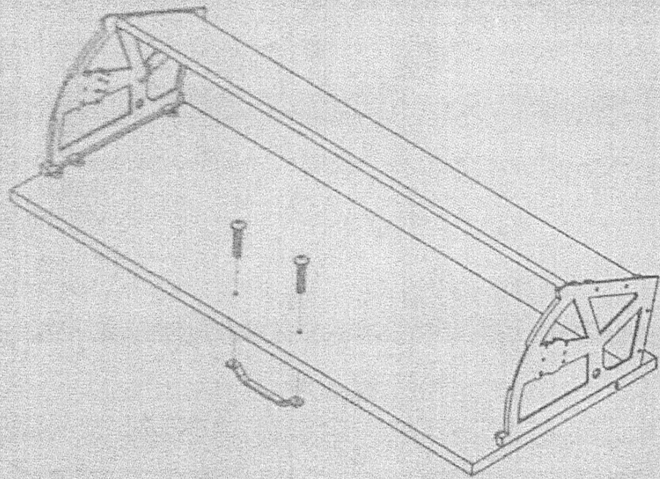
As shown in the figure, use self-tapping to fix the lower baffle on the bracket.

13



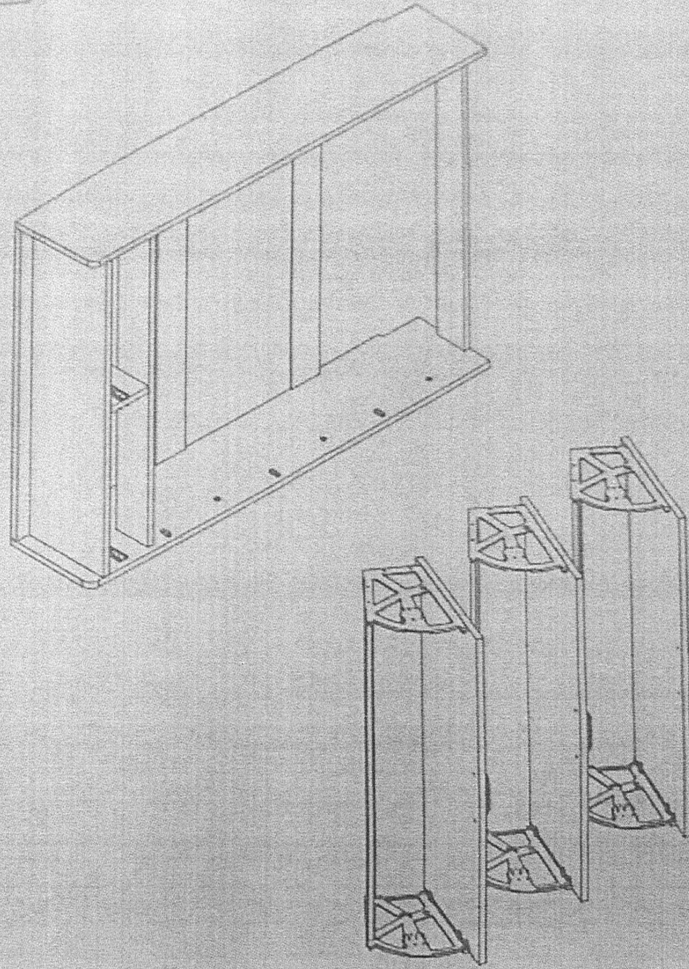
As shown in the figure, use self-tapping to fix the upper baffle on the bracket. And fix the angle iron on the door plate, as shown in the figure.

14



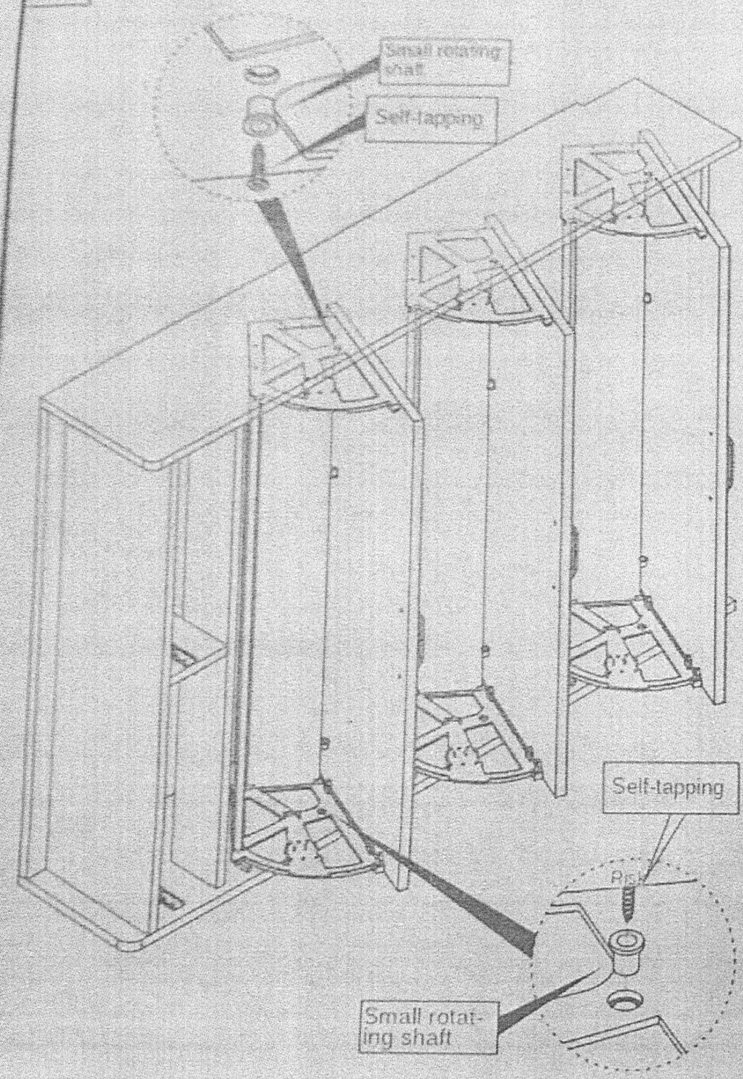
As shown in the figure, install the door handle.

15



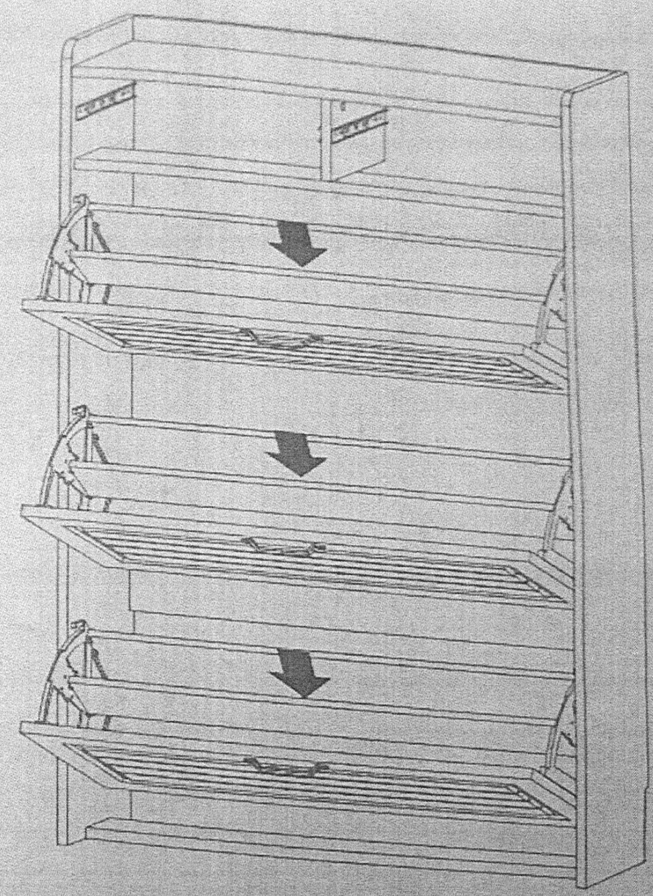
As shown in the figure, three flap plates are installed.

16



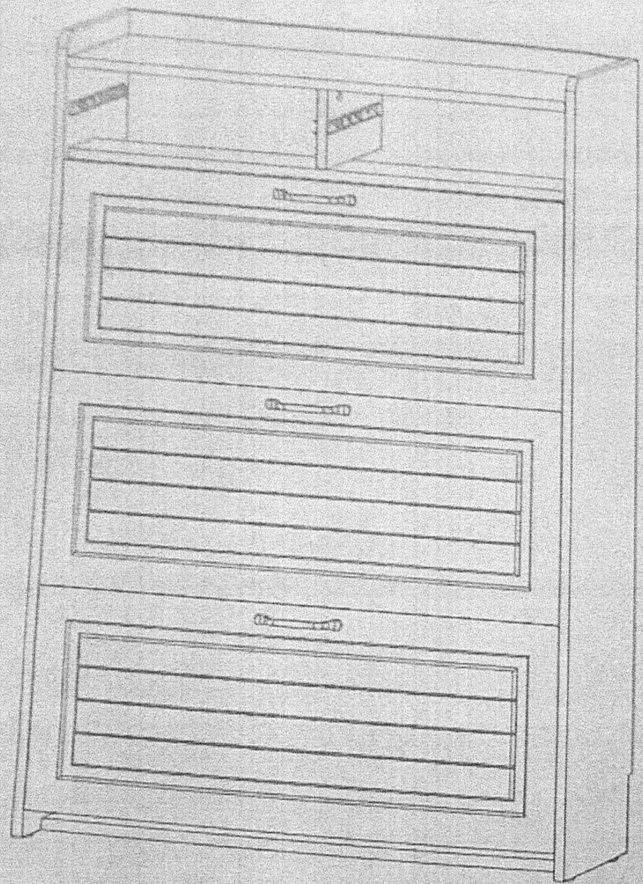
As shown in the figure, fix the Three flip plates on the cabinet

17



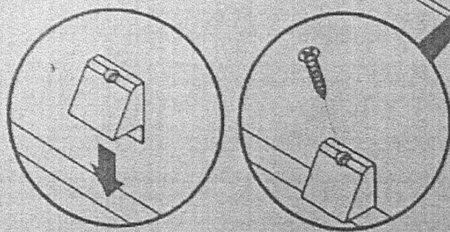
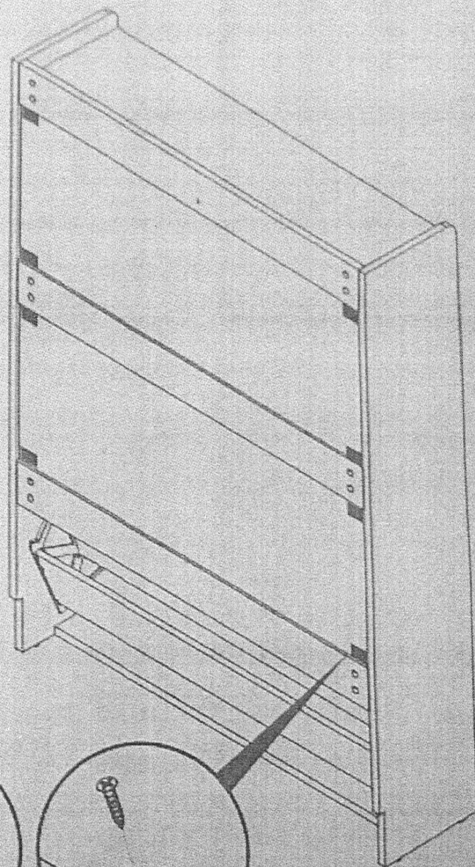
As shown in the figure, insert the middle layer-plate into the bracket.

18



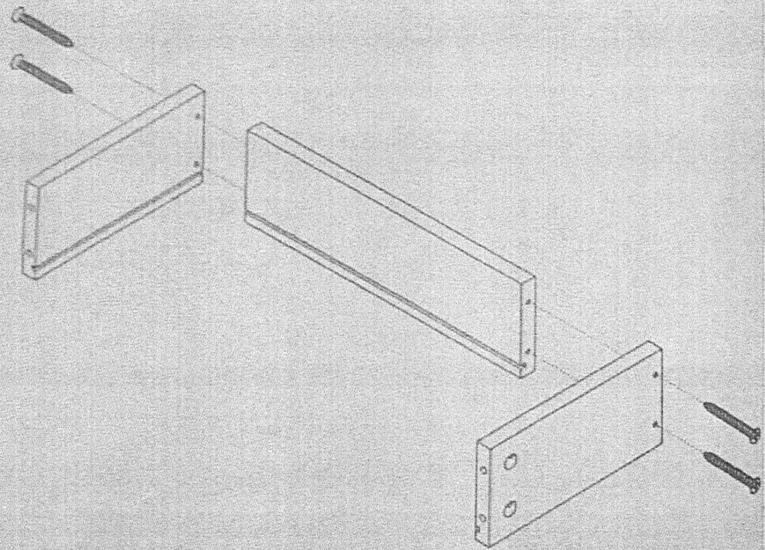
As shown in the figure, the Cabinet is installed.

19

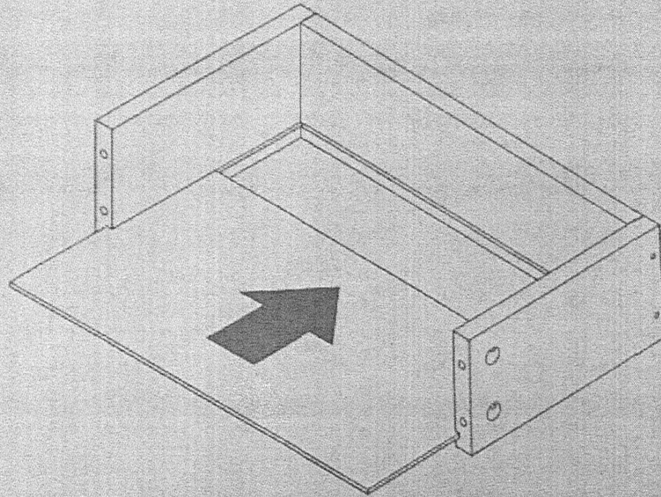


As shown in the figure, fix the back plate clip on the back of the cabinet, as shown in the figure.

20



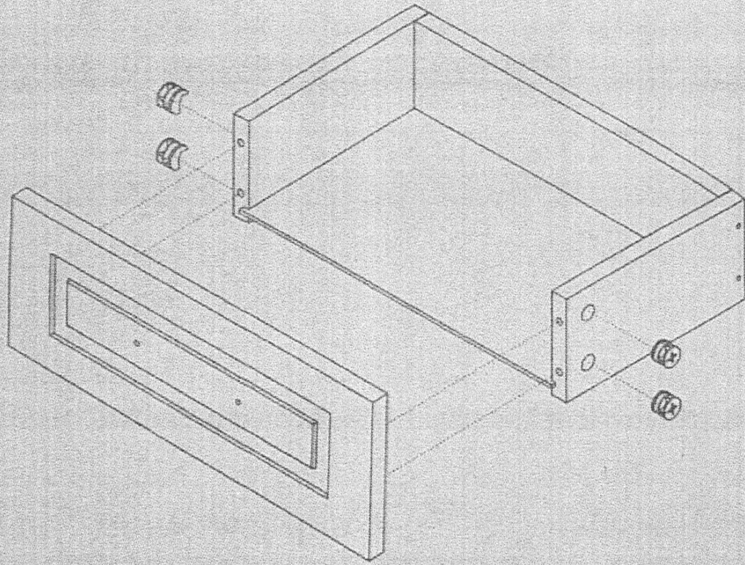
21



As shown in the figure, fix the left and right side plates of the drawer on the tailgate of the drawer with long self-tapping.

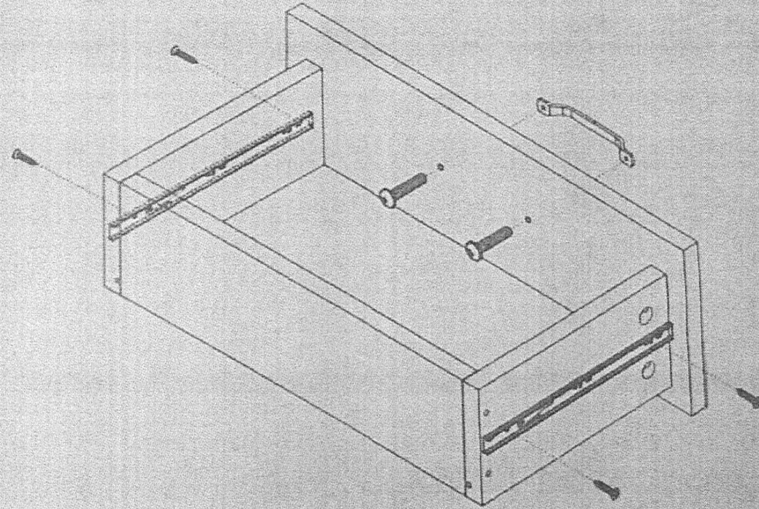
As shown in the figure, insert the drawer bottom plate into the slot

22



As shown in the figure, fix the drawer panel on the side panel with three-in-one

23



As shown in the figure, install the drawer track and handle.